



SB.23H HEIGHT RESTRICTOR

INSTALLATION, ASSEMBLY & USER INSTRUCTIONS

Read in full before starting

SAFETY

We recommend the following minimum precautions are taken:

- Wear appropriate clothing
- Eye protection and hand protection should be worn, including safety helmet
- Secure the site from pedestrians and vehicles, where applicable, by the use of high visibility tape, barriers, cones etc
- If you use a power supply, ensure that it is secure and in a safe dry location
- Ensure there are no underground services that may be affected

FEATURES

- To restrict the access of vehicles to controlled areas
- The gates can be unlocked and opened to allow access to controlled areas or closed and locked to prevent access
- The gate has a maximum swing of 180 degrees
- Latch back posts to lock on the open position are available at extra cost

INSTALLATION INSTRUCTIONS

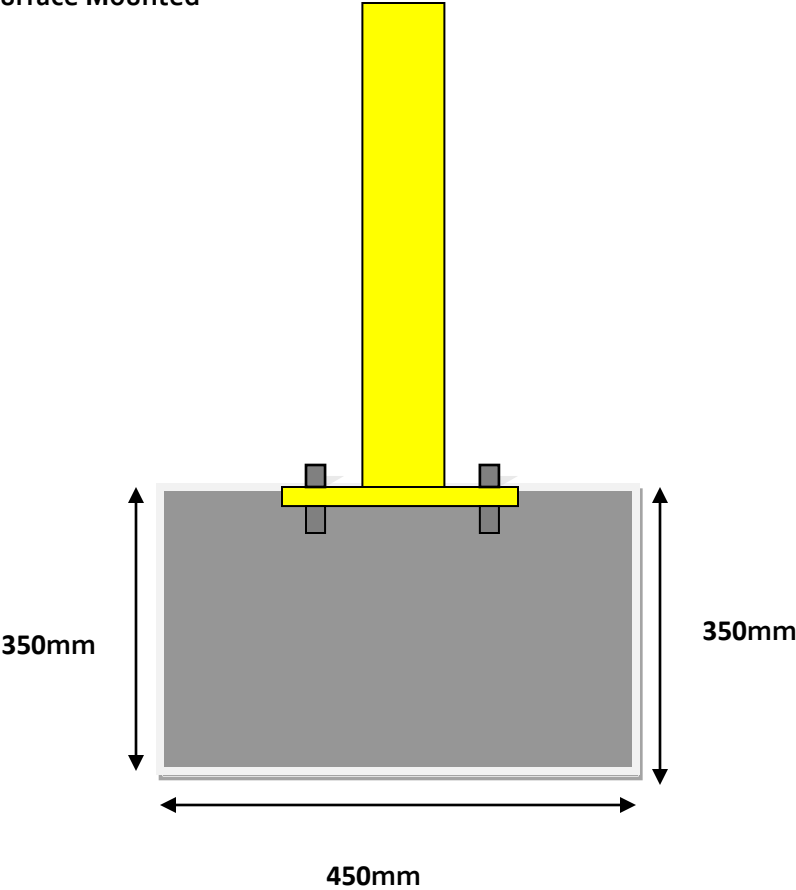
- Determine the position of the installation; consider any change of gradient across the road
- Allow for the swing/arc of the gate. Also allow for adjustment on the hinges so the gates can be adjusted after settlement
- If the height restrictor is ragged for casting in, the recommended concrete foundations are a minimum of 500mm x500mm x 800mm deep
- The latch post foundations should be 300mm cubed
- If the gate is flanged for bolting down, ensure the surface is a suitable, flat, strong concrete
- Pre drill the four holes for the main flange bolts at 320mm centre's
- Locate the main flange holes and bolt down
- Fit the gate over the lugs
- Position the latch post accordingly, mark the bolt hole centre's, then drill in and bolt down

MAINTENANCE

- Occasionally clean all surfaces with soap and water
- Check that the fixing bolts and other visible fixings are suitably tight and have not worked loose
- Check foundations remain firm
- Occasionally apply light oil (WD40 or similar) to the hinge if required

CONTINUED

Surface Mounted



Sunken Permanent

