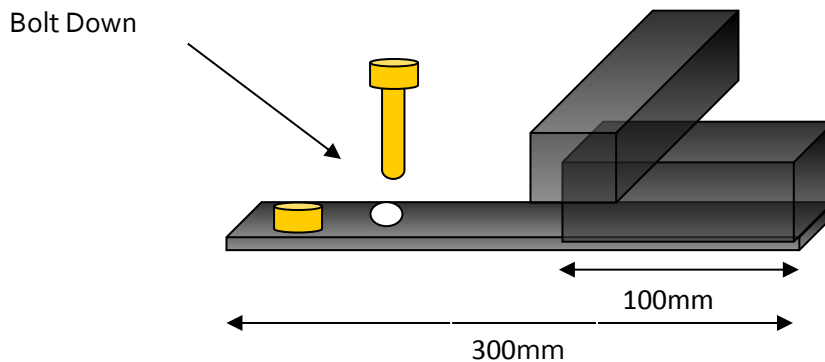




SB.30 PADLOCK GARAGE DOOR DEFENDER

PADLOCK GARAGE DOOR DEFENDER



The SB.30 Garage Door Defender is a fantastic tool used to secure your garage. This is done by eliminating aluminum doors to be levered open from the corners. Ideally the SB.30 should be used in pairs. The fixing plate is secured to the floor inside the garage, with two anchor bolts. When the garage door is closed, the defender is locked into the fixed plate providing extra security to your garage.