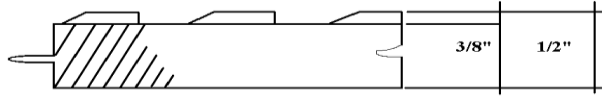


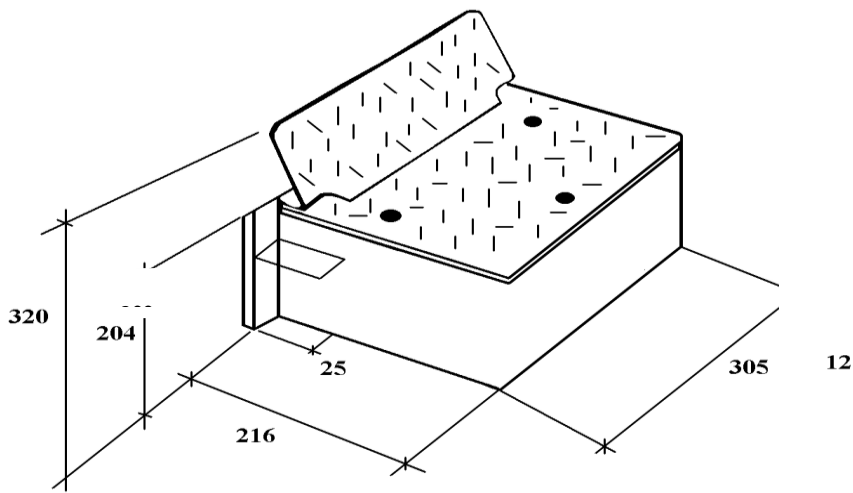


SB.6 SUNKEN FLOW PLATE

STANDARD DIMENSION



SECTION OF DURBAR PLATE



295MM

